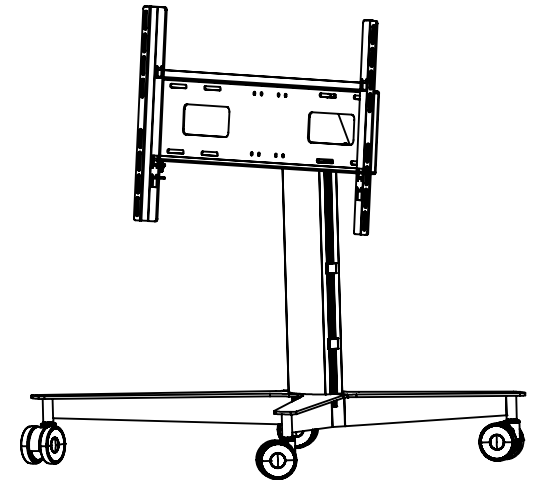
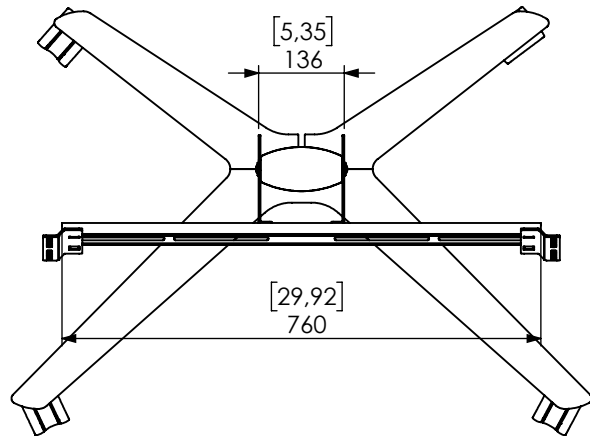
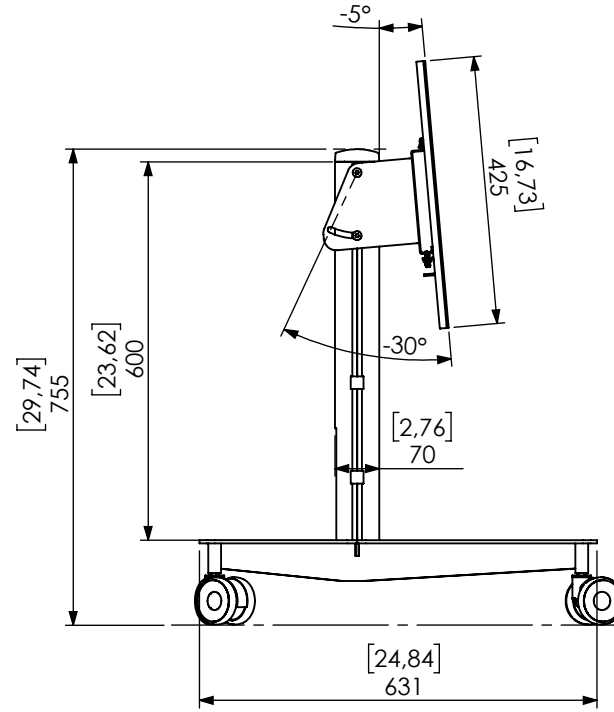
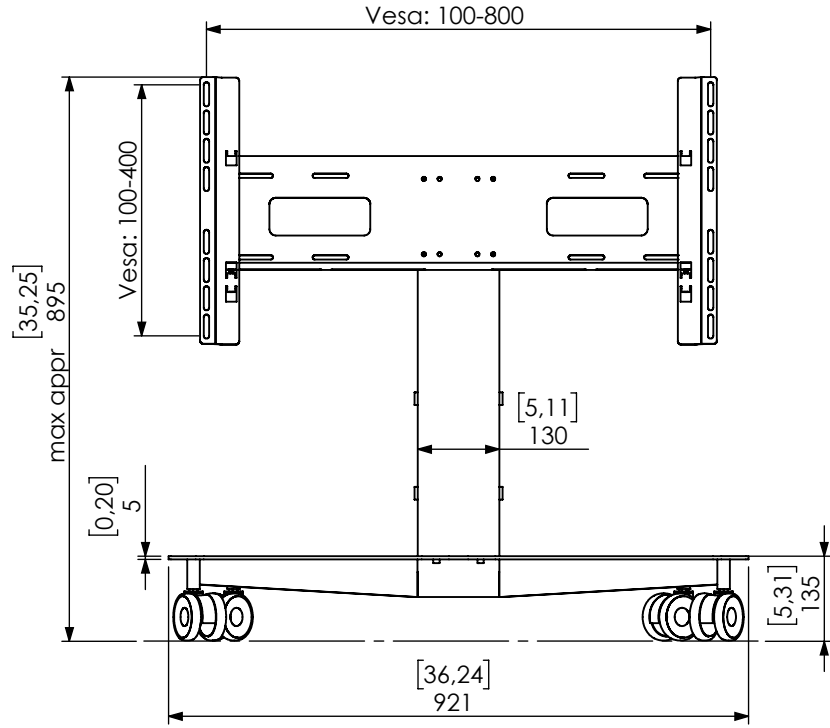


Technical drawing (mm/inch)
K12-028-x ICON FH MT600 -5...-30 deg - 800x400 dimensions



SMART MEDIA
SOLUTIONS