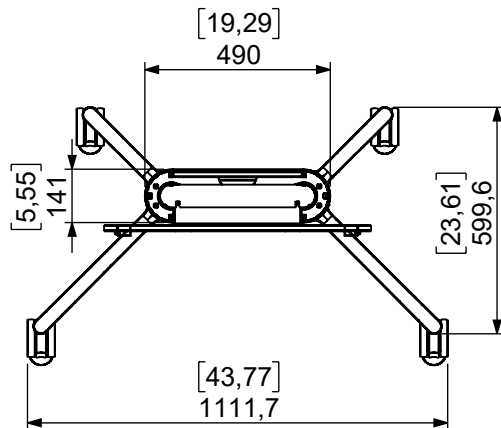
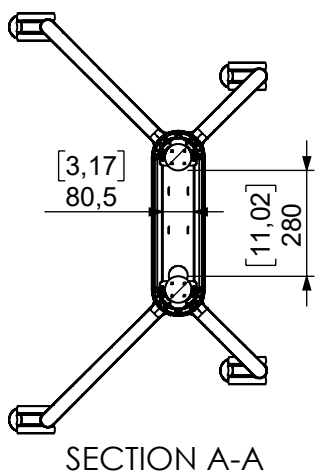
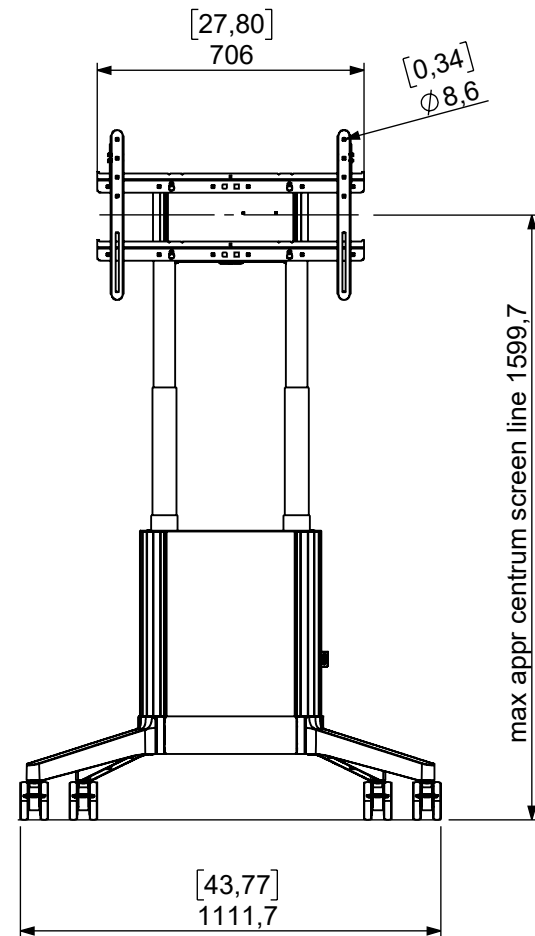
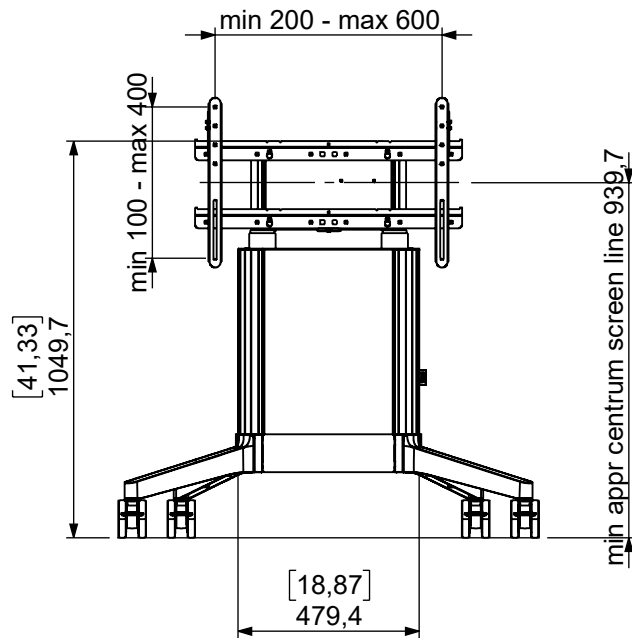
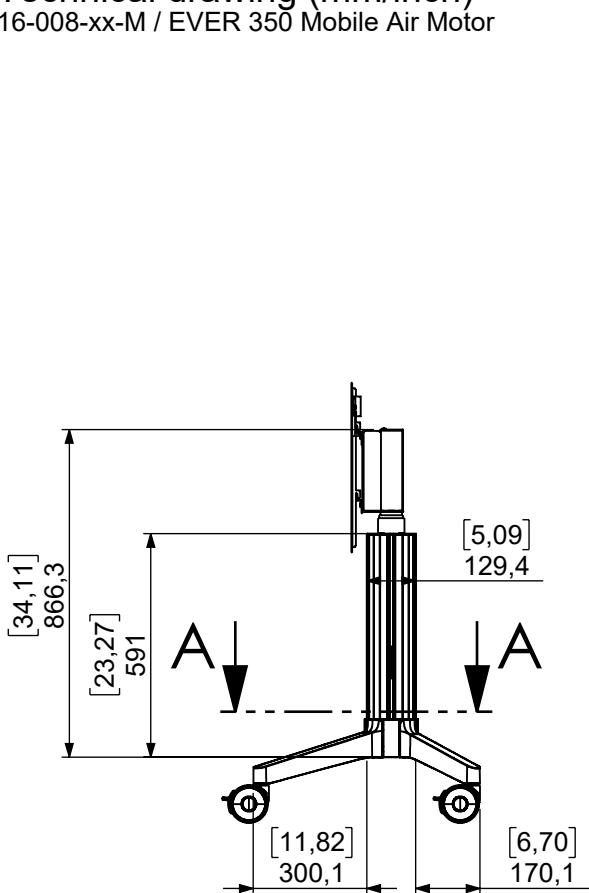


Technical drawing (mm/inch)
 16-008-xx-M / EVER 350 Mobile Air Motor



SMART MEDIA
 SOLUTIONS